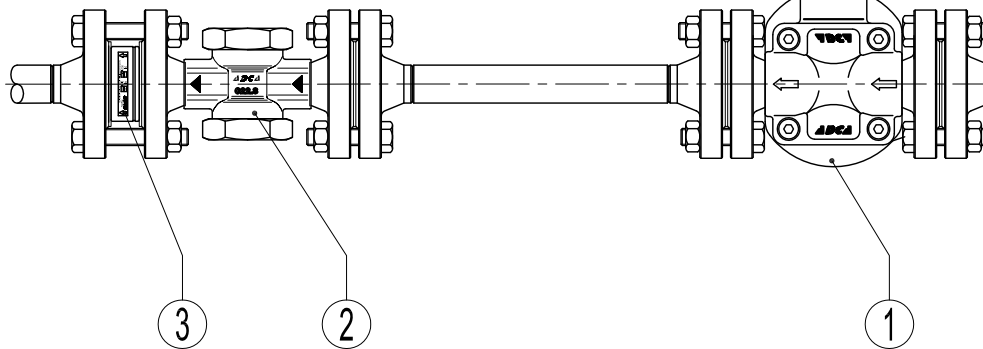
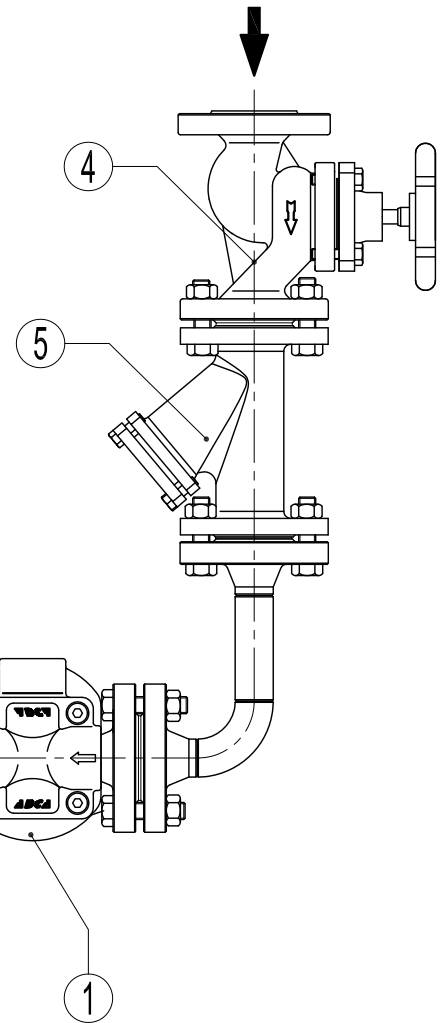


Vertical instalation

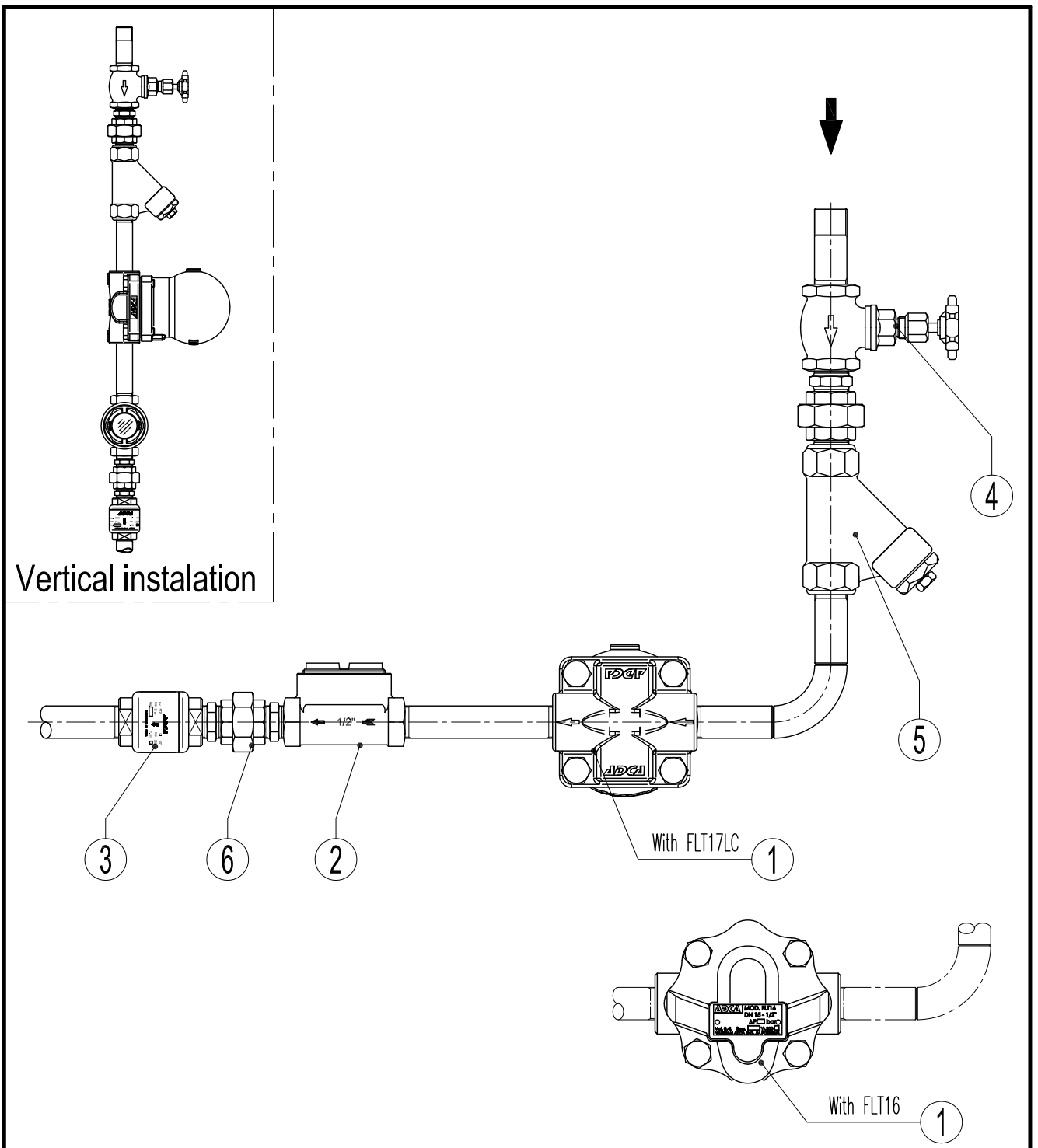


05	01	ADCA IS16F Y strainer	DN____	--- ---	---
04	01	ADCA VF16 Globe valve	DN____	--- ---	---
03	01	ADCA RD40 Wafer type non return valve	DN____	--- ---	---
02	01	ADCA DW40S Double window sight glass	DN____	--- ---	---
01	01	ADCA FLT17/FLT17LC/FLT14I Steam trap D.P.____bar	DN____	--- ---	Specify differential pressure

Ref.	Quant.	Designation / Designação	Size / Medidas	Material	Remarks / Observações
------	--------	--------------------------	----------------	----------	-----------------------

Proj.	06/11/08	Rubrica	<h1>VALSTEAM ADCA</h1>			Proc.	0.490
Des.	06/11/08	Paulo S.				---	
Verif.						---	

Escalas	Tolerancias n/ especificadas		Description / Descrição:	STEAM TRAP INSTALATION CONJUNTO DE PURGA FLT17LC/FLT17/FLT4I	Des.N°:	ADPC.02.2168
	Dimensões	Desvios				



Vertical instalation

06	02	Unions	DN____	A105 (1.0432)	---
05	01	ADCA IS16 strainer Cast iron pipeline	DN____	GGG40.3 (0.7033)	---
04	01	ADCA GV32B Globe valve	DN____	Brass (CuZn39b2)	---
03	01	ADCA RT25 Non return valve	DN____	AISI316 (1.4401)	---
02	01	ADCA SW12 Single window sight glass	DN____	Brass (CuZn39b2)	---
01	01	ADCA FLT17LC/FLT16 Steam trap D.P.____bar	DN____	GGG40 (0.7040)	Specify differential pressure
Ref.	Quant.	Deseqnation / Designação	Size/Medidas	Material	Remarks / Observações

Data		Rubrica	<h1>VALSTEAM ADCA</h1>	Proc.	0.490
Proj.	06/11/08	F.Soares			
Des.	06/11/08	Paulo S.			
Verif.					
Escalas	Tolerancias n/ especificadas	Description / Descrição: STEAM TRAP INSTALATION CONJUNTO DE PURGA FLT17LC/FLT16		Des.Nº:	ADPC.01.2167
	Dimensões			Desvios	Rev: